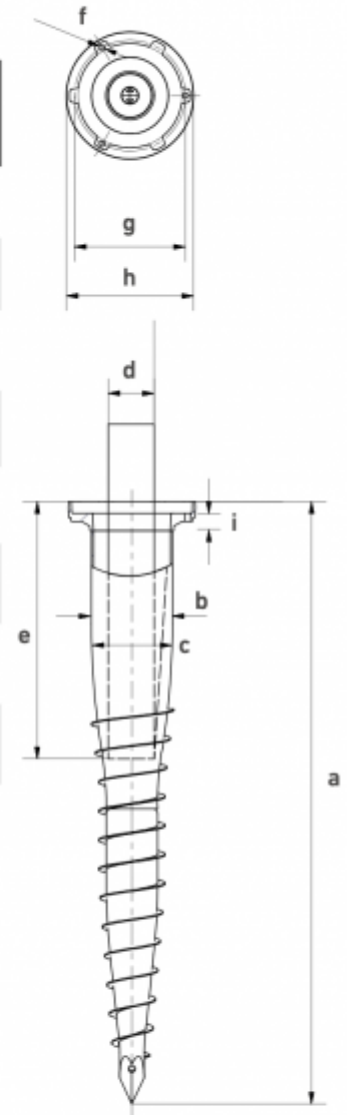


Technical Data

	KSF E 140x1600-E76-100	KSF E 140x1300-E76-100
a	Length (mm) (± 25 mm)	
	1640	1310
b	Outer diameter (mm)	
	139,70	139,70
c	Inner diameter (mm)	
	132,50	132,50
d	Diameter setting* (mm)	
	100 90 80 76**	100 90 80 76**
e	Depth setting (mm) (± 25 mm)	
	730 775 810 810	565 630 650 650
f	Thread	
	3xM12	3xM12
g	Pitch circle diameter (mm)	
	192	192
h	Flange outer diameter (mm)	
	220	220
i	Flange thickness (mm)	
	14	14

* The diameter setting (d) determines the depth setting (e)

**Tip for installation: To adjust the depth setting, it is recommended to fill in ballast or insert an accessory plate



Online Service

KSF E 140x1600-E76-100	KSF E 140x1300-E76-100
---------------------------	---------------------------

Webkey

E2616011D

E2550211D

